



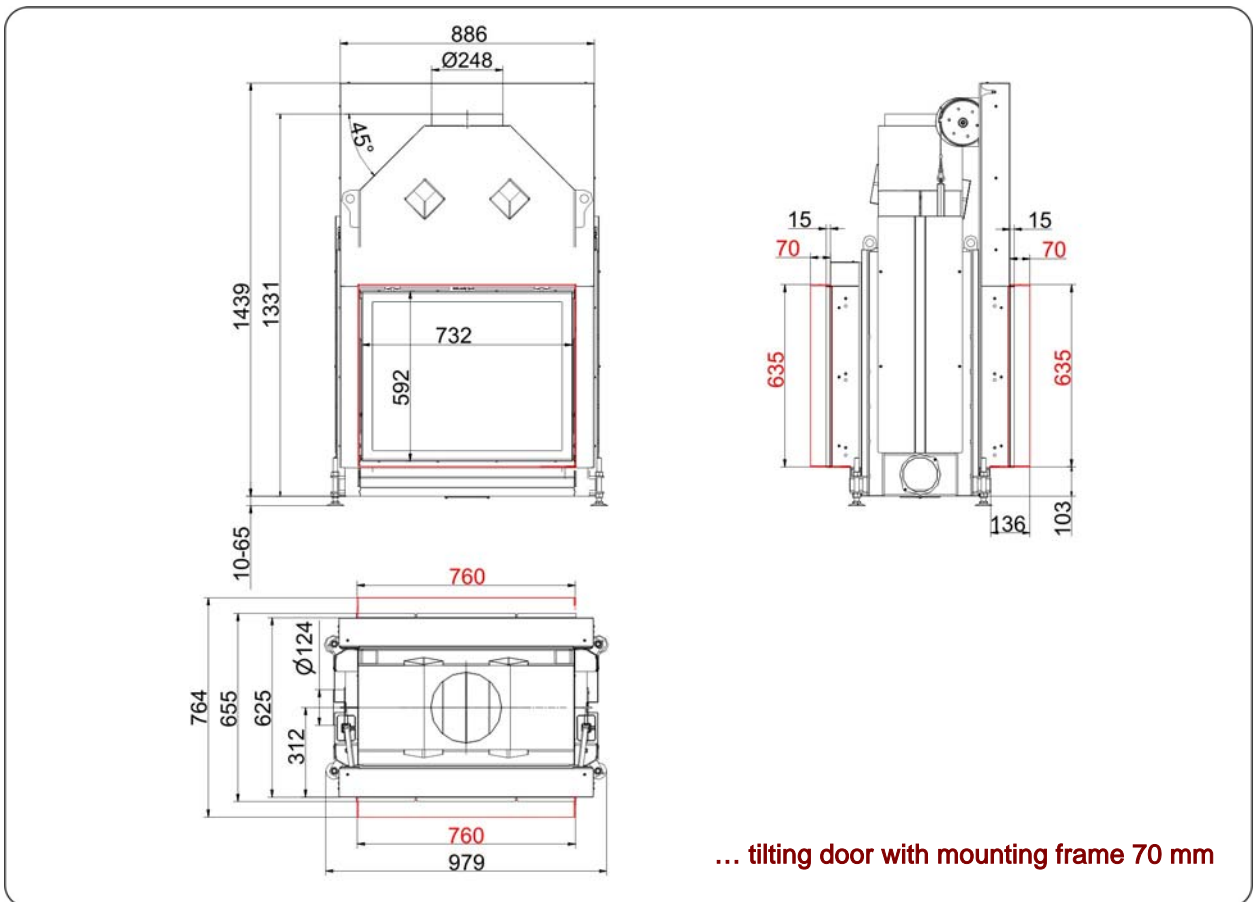
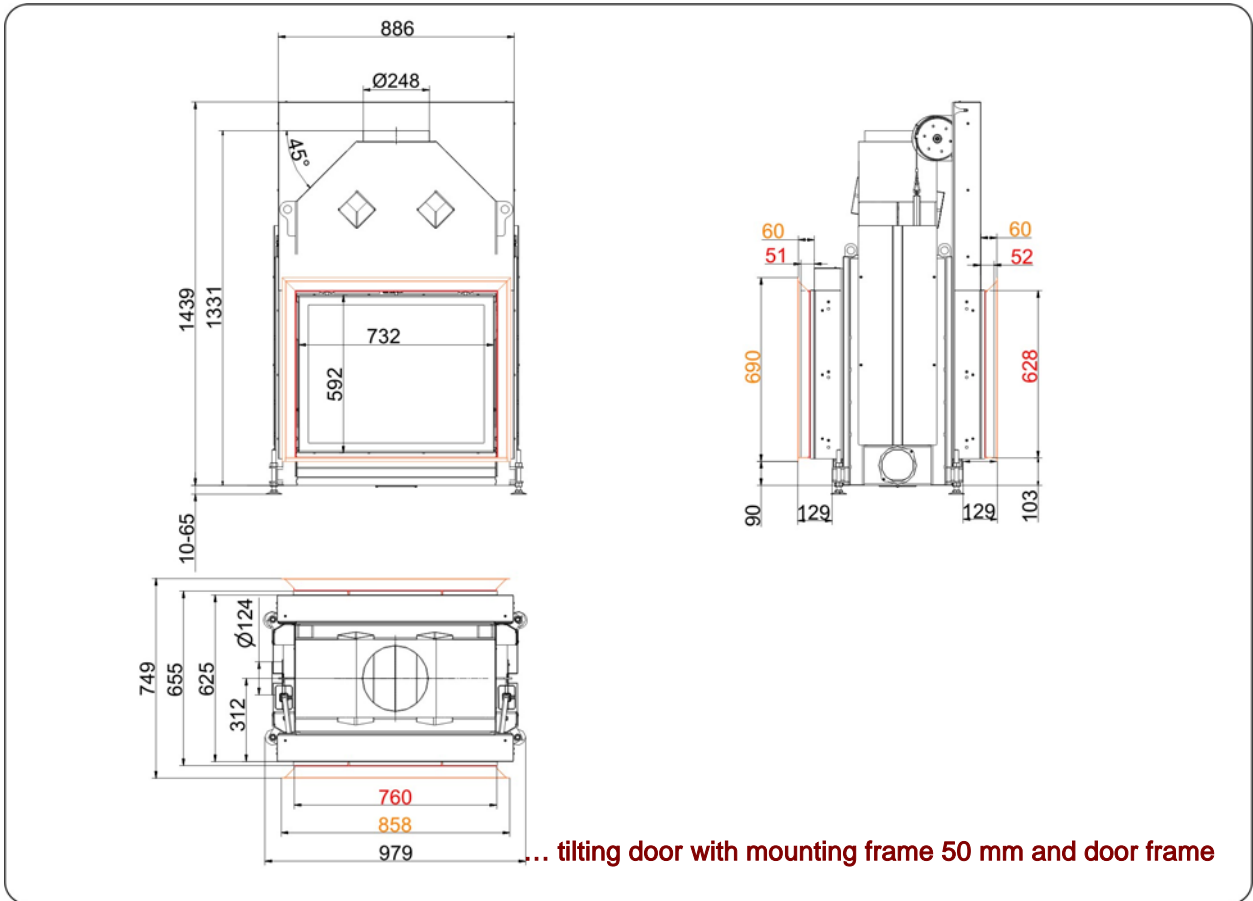
Stil-Tunnel 62/76 lifting doors

Version 4.7

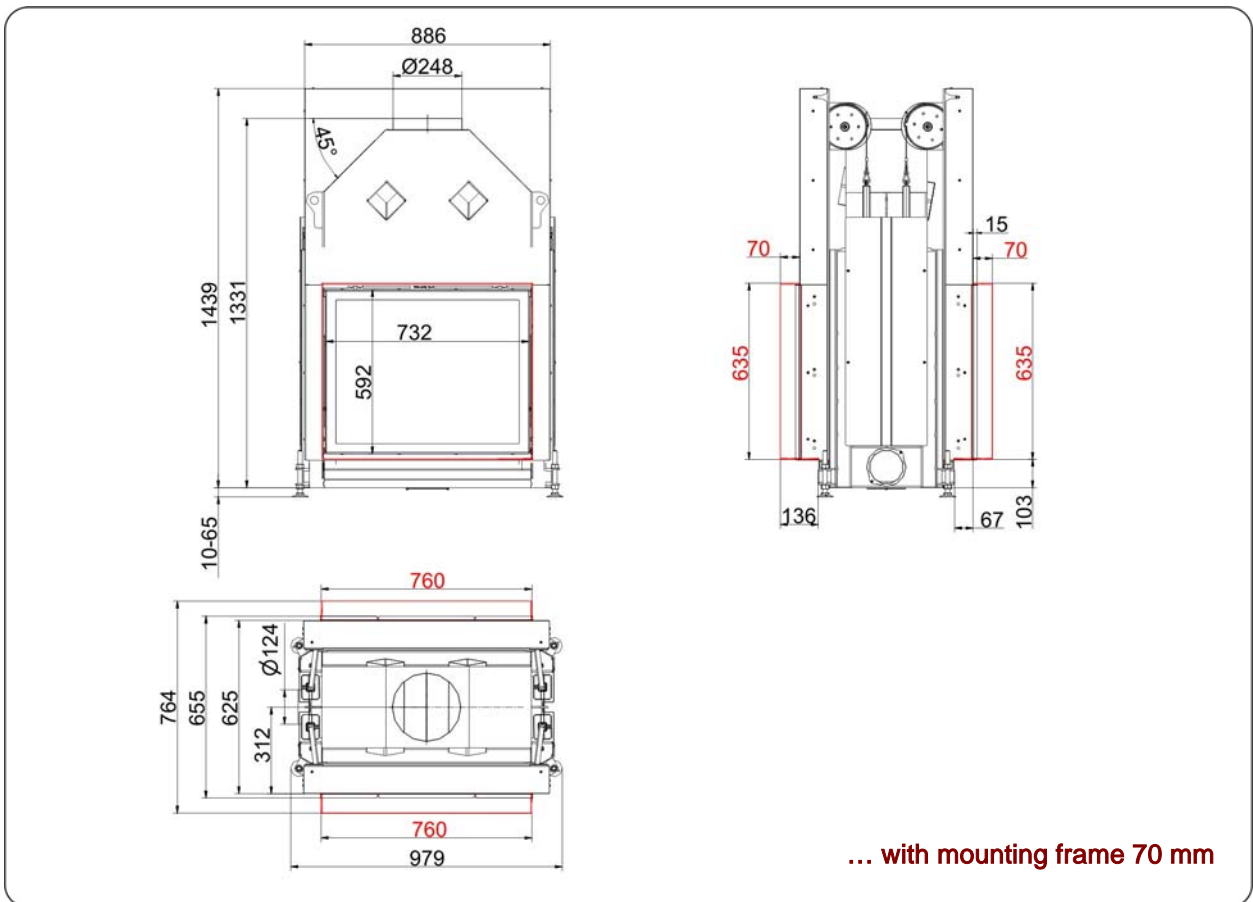
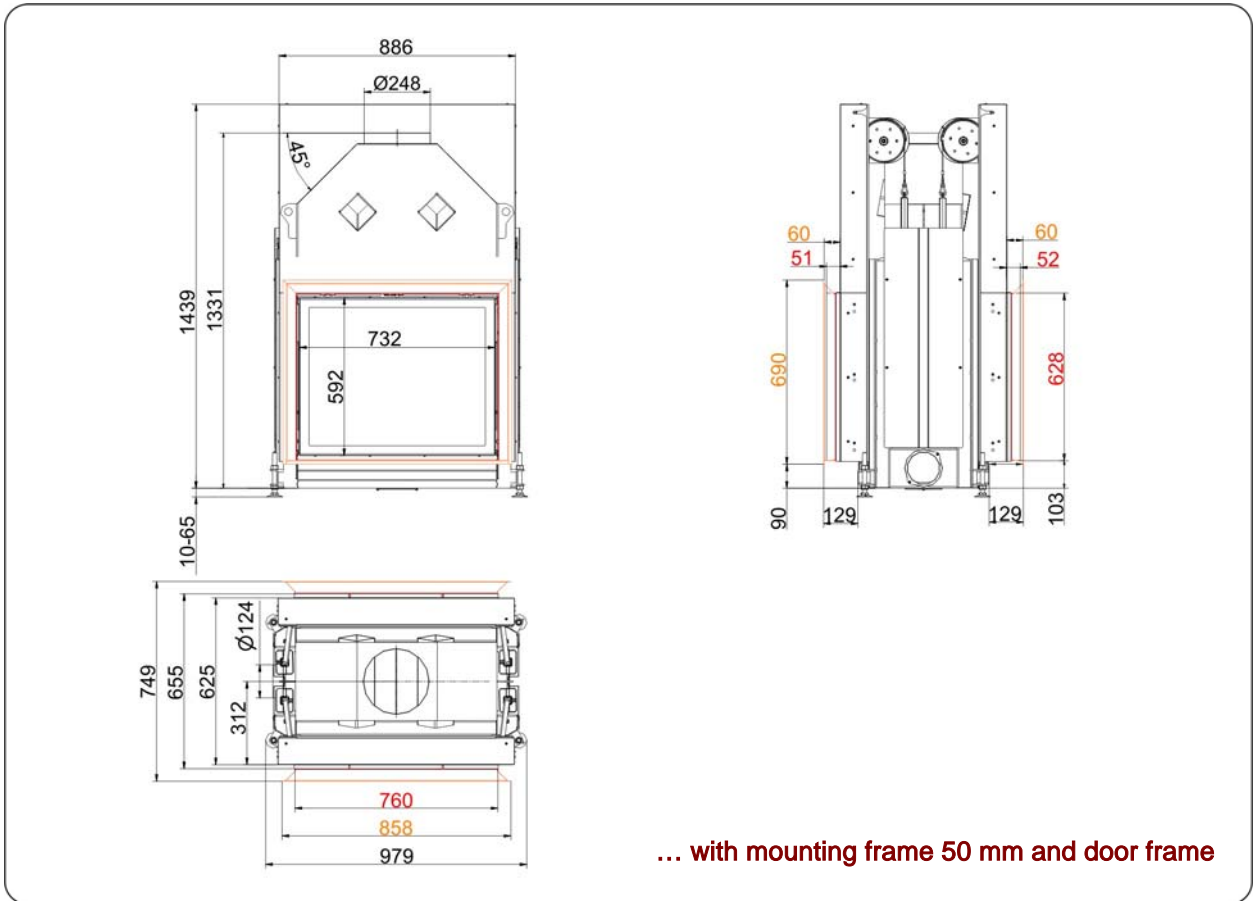


BRUNNER[®]
made in germany

Dimension sheet | **Stil-Tunnel 62/76 lifting doors**



Dimension sheet | **Stil-Tunnel 62/76 lifting doors**



Planning and installation

Stil-Tunnel 62/76

Tested according to	EN 13229 W	EN 13229 W
Values measured at	nominal load	open door
Suitable for all construction types according to rules	OK	OK
Data for functional demonstration		
Rated heat power	kW 11	-
Firewood consumption	kg/h 3,5	3,5
Combustion performance	kW 13	13
Flue gas mass flow	g/s 13	70
Outlet temperature (before heating surface)	°C -	-
Flue gas temperature after		
attached steel smoke hood	°C 175	120
adjoining cast iron radiator (GNF10)	°C -	-
accumulation rings (MAS) ¹⁾	°C -	-
adjoining ceramic accumulator ²⁾	°C -	-
ceramic modular accumulator (KMS system)	°C -	-
water boiler	°C -	-
Necessary supply pressure	Pa 13	6
Combustion air consumption	m ³ /h 38	180
Combustion air connection Ø	mm 125	-
Heat distribution		
Insert / heating surface	% 50 / -	- / -
Glass (single / double)	% 50 / -	- / -
Boiler	% -	-
Cross-section of gratings for max. warm air power		
Supply air	cm ² 800	0
Warm air	cm ² 800	0
Minimal oven surface for closed construction type		
Surface giving off heat	m ² 4,0	-
Space inside oven chamber		
Distance to oven chamber wall	cm 8	8
Distance to floor	cm -	-
Heat insulation without / with ³⁾ air gratings		
Wall	cm 18 / 14	18 / 14
Floor	cm 4 / 2	4 / 2
Ceiling	cm 22 / 16	22 / 16
Insulation of additional fire door DHT	cm -	-
Brick lining of protected walls	cm 10	10
Weight		
Fireplace + burning chamber	kg	279 + 75
Approvals		
Germany / Austria / Switzerland	1.BImSchV (Stufe 1) / 15a BVG / LRV	

1) Throttle flap recommended

2) Approximate value, must be calculated eventually

3) Values with air gratings, stove casing is heat conducting

Ulrich Brunner GmbH
Zellhuber Ring 17 -18
D-84307 Eggenfelden
Phone: +49 / (0)87 21 / 7 71-0
Fax: +49 / (0)87 21 / 7 71-100
info@brunner.de | www.brunner.de



BRUNNER products are offered and sold only by qualified dealers and service centres.
Subject to technical and assortment changes. Errors excepted. (7/10)